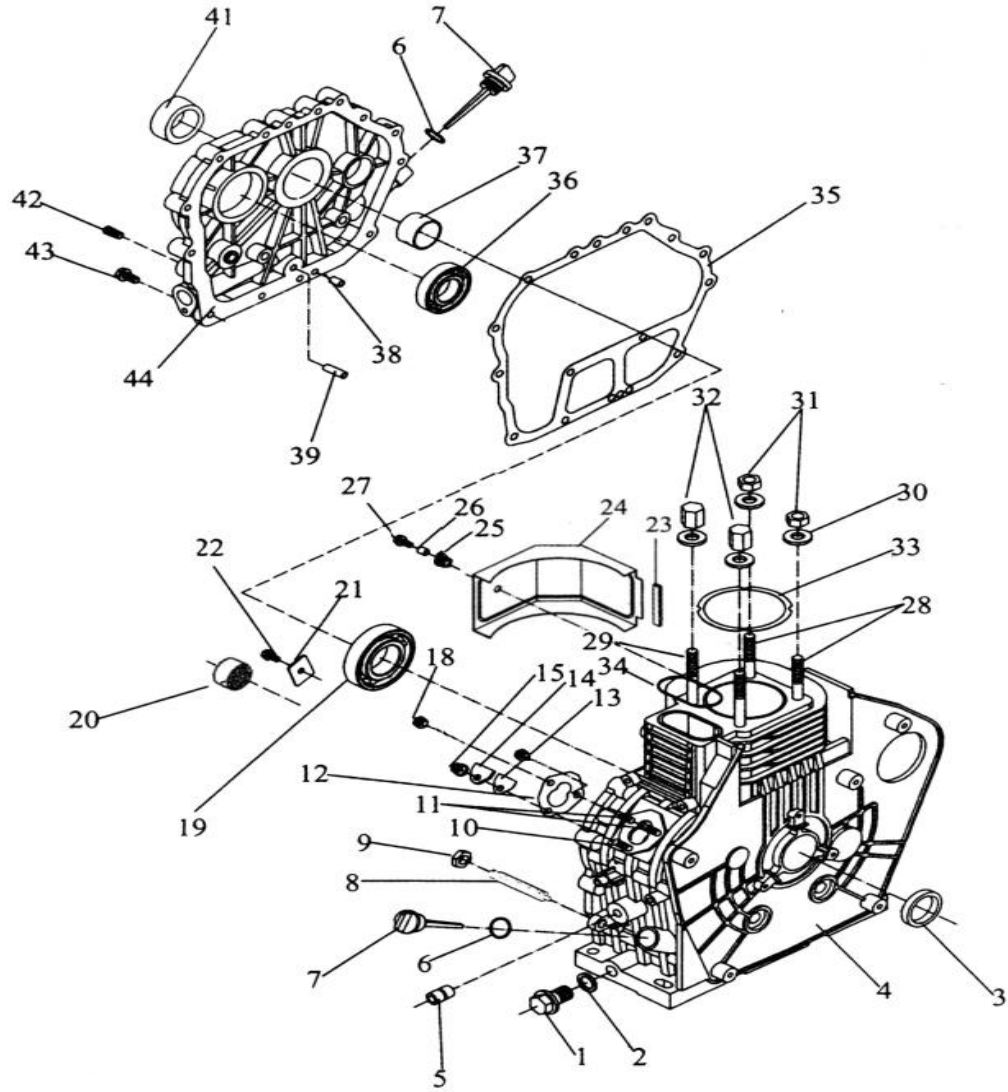


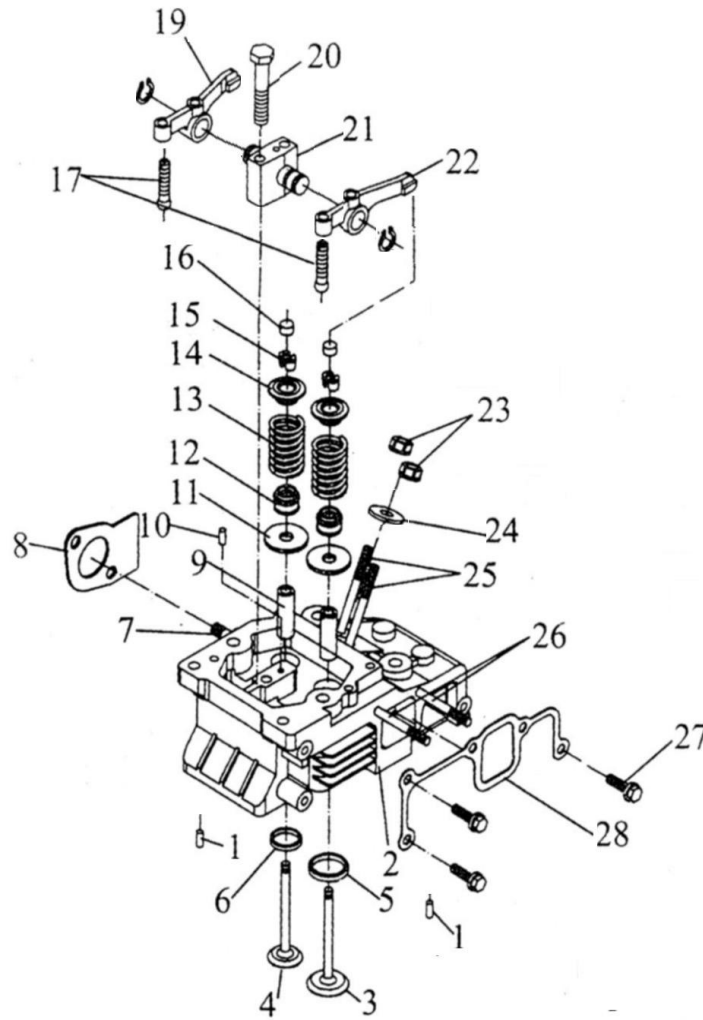
# HSD188F(E) DIESEL ENGINE EXPLOSIVE VIEW

## CRANKCASE ASSY



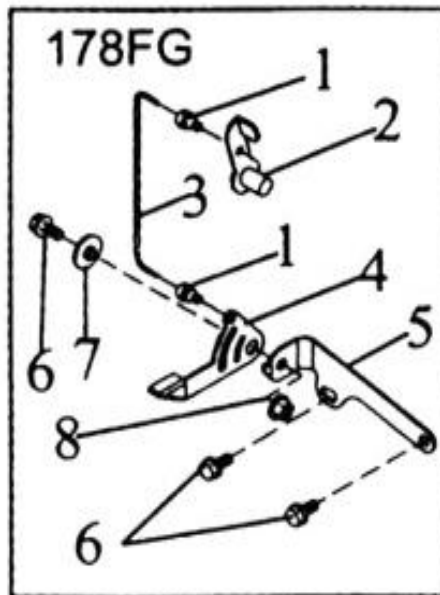
NO.	CODE	CHINESE NAME	ENGLISH NAME	QUANTITY
1	KT16195-E52001-002	机体放油螺栓	Drain Plug	1
2	KT12415-E52001-000	放油螺栓垫片	Oil Plug Seal Assy	1
3	KT90682-E52001-000	油封/ $\phi$ 35* $\phi$ 50*8	Oil Seal Sg35*50*8	1
4	KT12310-E53001-00B	曲轴箱体	Cylinder Block.	1
6/7	KT15010-E52001-000	机油尺组合	Oil Filler Gap	2
8/9	KT16780-E52001-002	油量控制器部件	Fuel Controller	1
10	KT90401-0630-02	双头螺柱/AM6*30	Stud AM6*30	1
11	KT90401-0640-02	双头螺柱/AM6*40	Stud AM6*40	2
12	KT16203-E52001-000	喷油泵调整垫片 (0.3mm)	Fuel Injection Pump Gasket 0.3	As actually required
	KT16203-E52002-000	喷油泵调整垫片 (0.2mm)	Fuel Injection Pump Gasket 0.2	As actually required
	KT16203-E52003-000	喷油泵调整垫片 (0.4mm)	Fuel Injection Pump Gasket 0.4	As actually required
	KT16203-E52004-000	喷油泵调整垫片 (0.5mm)	Fuel Injection Pump Gasket 0.5	As actually required
13	KT16202-E52001-000	喷油泵视窗盖垫片	Seal Gasket	1
14	KT16201-E52001-002	喷油泵视窗盖板	Seal Plate	1
15	KT90602-0600-42	六角法兰面螺母/M6	Nut M6	3
19	KT91601-6308-P53	深沟球轴承6308/P5	Ball Bearing 6308/P5	1
23	KT19315-E52001-000	引风板减震条	Cushion Blocking	1
24	KT19313-E52001-002	引风板	Governor	1
25	KT19316-E52001-000	引风板减震套	Vibration Isolation Cushion Block	1
26	KT90683-E52001-001	引风板减震垫衬套	Shrath	1
28	KT11037-E52001-00E	汽缸盖双头螺栓/M10*105	Cylinder Head Stud/ M10*105	2
29	KT11038-E52001-00E	汽缸盖双头螺栓/M10*118	Cylinder Head Stud/ M10*118	2

30	KT11009-E52001-002	汽缸盖螺母垫片	Washer	4
31	KT11035-E52001-002	汽缸盖螺母/薄	Cylinder Head Nut(Short)	2
32	KT11036-E52001-002	汽缸盖螺母/厚	Cylinder Head Nut ( Long)	2
33	KT12004-E52001-000	气缸盖垫片(0.3mm)	Cylinder Head Shim0.3	As actually required
	KT12004-E52002-000	气缸盖垫片(0.4mm)	Cylinder Head Shim0.4	As actually required
	KT12004-E50003-000	气缸盖垫片(0.2mm)	Cylinder Head Shim0.2	As actually required
34	KT90681-E52001-000	矩形密封圈	Cylinder Head Ring	1
35	KT12412-E52001-000	曲轴箱盖垫片	Crank Case Gasket	1
36	KT91601-6207-P53	深沟球轴承/6207/P5	Ball Bearing 6206/P5	1
37	KT12413-E52001-000	主轴瓦	Main Bearing	1
38	KT91106-0812	销轴/GB/T882/ $\phi$ 8*12	Pin 8*12	2
39	KT15007-E52001-002	进油导管	Oil Indicator	1
41	KT90682-E52002-000	油封/ $\phi$ 35* $\phi$ 50*10	Oil Seal SG35*50*10	1
43	KT90107-0833-12	GB/T5789/M8*33.5	Bolt M8 * 33.5	16
44	KT12411-E52001-00B	曲轴箱盖	Crank Case Cover	1
<b>CYLINDER HEAD ASSY.气缸头总成</b>				

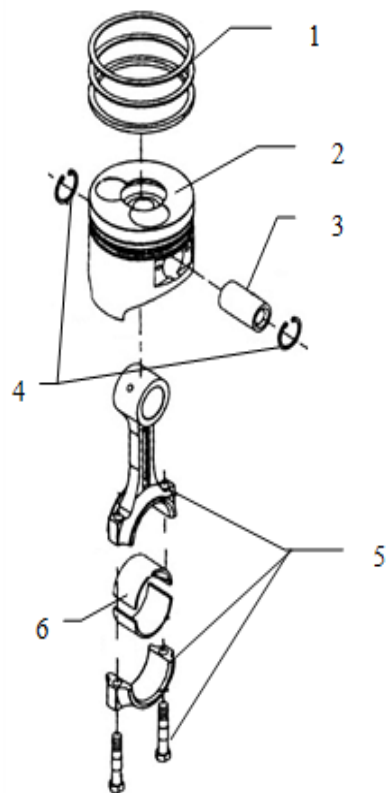


NO.	CODE	CHINESE NAME	ENGLISH NAME	QUANTITY
2/5/6/9	KT11140-E53001-00B	气缸盖部件	Cylinder Head	1
3	KT11111-E53001-000	进气门	Intake Valve	1
4	KT11121-E53001-000	排气门	Exhaust Valve	1

7	KT90401-0832-02	双头螺柱 GB899/M8*32	Stud AM8*32	2
8	KT18001-E52001-000	排气口垫片	Silencer Gasket	1
10	KT91106-0408	销轴 GB/T882/ $\phi$ 4*8	Pin 4*8	1
11	KT11105-E52001-00E	气门弹簧垫圈	Valve Spring Washer	2
12	KT11113-E52001-000	气门油封	Valve Conduit Oil Seal	2
13	KT11103-E52001-00E	气门弹簧	Spring Retainer	2
14	KT11107-E52001-00E	气门弹簧座	Rock Arm Assy	2
15	KT11109-E52001-000	气门锁夹	Cotter	4
16	KT11104-E52001-000	气门调节垫块	Valve Adjusting Plate	2
17/19/21/22	KT14300-E52001-000	气门摇臂部件	Arm Assy	1
20	KT90107-0850-12	六角法兰面螺栓/M8*50	Bolt M8*50	2
23	KT90602-0600-42	六角法兰面螺母/M6	Nut M6	2
24	KT16551-E52001-000	喷油器调整垫片 (0.3mm)	Spacer Washer	As actually required
25	KT90401-0648-02	双头螺柱/M6*48	Stud M6*48	2
26	KT90401-0692-02	双头螺柱/M6*92	Stud M6*92	2
27	KT90107-0625-02	六角法兰面螺栓/M6*25	Bolt M6*25	3
28	KT11504-E52001-000	进气管垫片	Air Intake Gasket	1
		<b>CYLINDER HEAD COVER ASSY</b>		

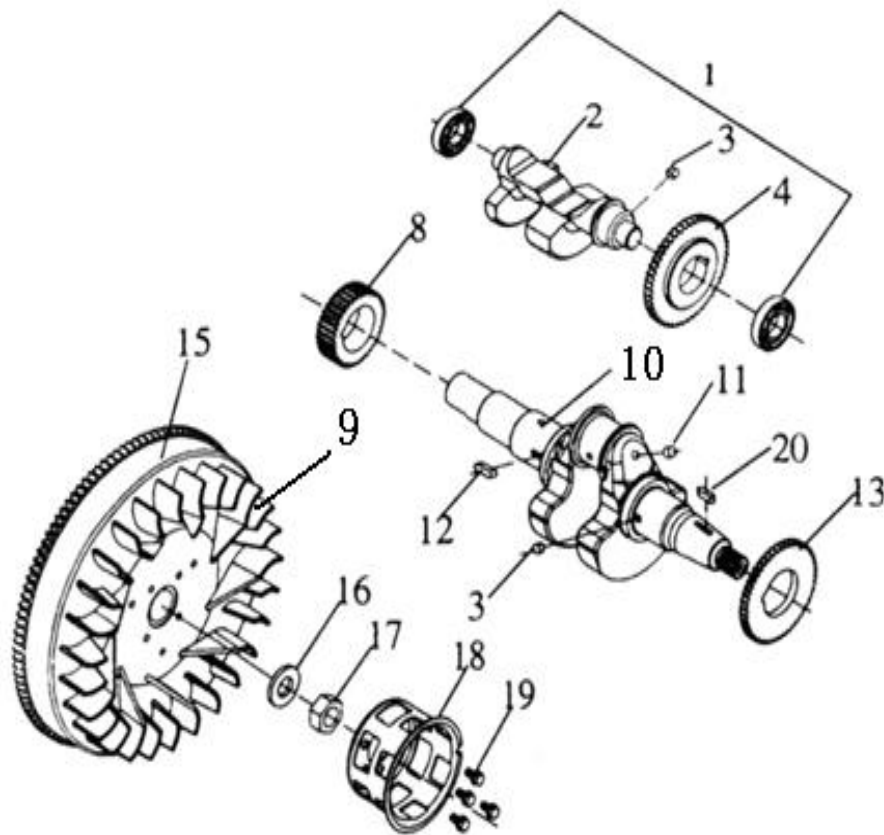


NO.	CODE	CHINESE NAME	ENGLISH NAME	QUANTITY
1	KT11004-E52001-000	气缸盖罩垫片	Bonner Gasket	1
2	KT90107-0670-02	六角法兰面螺栓M6*70	Bolt /M6*70	3
3	KT11410-E52001-000	气缸盖罩部件	Bonnet Assy	1
<b>PISTON AND CONNECTING ROD</b>				



NO.	CODE	CHINESE NAME	ENGLISH NAME	QUANTITY
1	KT13200-E53001-000	活塞环组合	Ring Set	1
2	KT13111-E53001-000	活塞	Piston	1
3	KT13121-E53001-000	活塞销	Piston Pin	1
4	KT92103-0008	活塞销挡圈 $\phi$ 23	Washer 23	2
5	KT13010-E53001-000	连杆部件	Connecting Rod Assy	1
6	KT13014-E52001-000	连杆轴瓦	Crank Pin Bearing	2

CRANKCASE FLYWHEEL ASSY

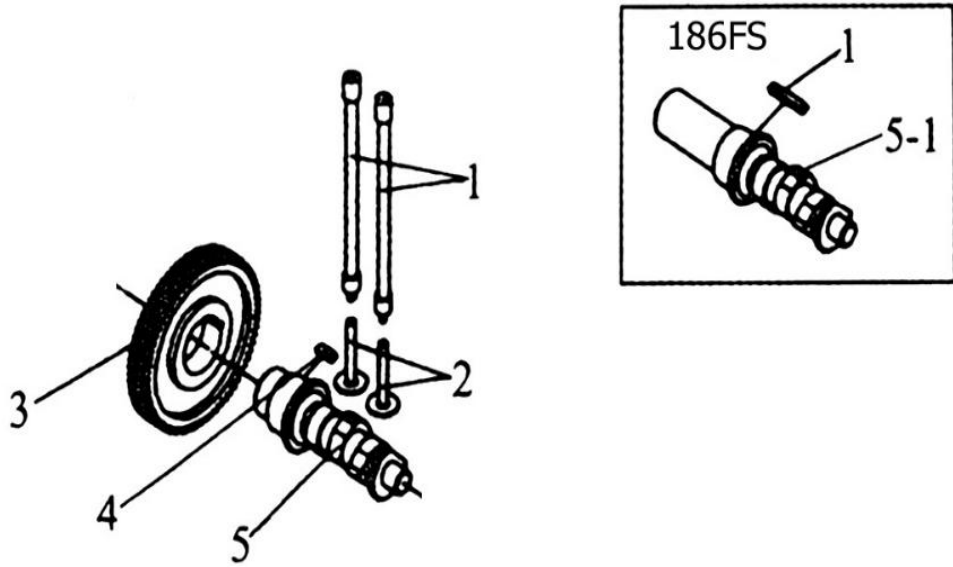


NO.	CODE	CHINESE NAME	ENGLISH NAME	QUANTITY
1	KT91601-6203-P63	深沟球轴承/6203/P5	Ball Bearing 6203/P5	2
2	KT13401-E52001-000	平衡轴	Balancer Shaft	1
3	KT91501-0007	平键/5*5*7	Key 5×7	2
4	KT13002-E52001-000	平衡轴正时齿轮	Timing Gear Of Balance Shaft	1
8	KT13307-E52001-000	曲轴正时齿轮	Crankshaft Timing Gear	1
10	KT13301-E53001-000	曲轴(01#-花键轴)	Crank Shaft	1



12	KT91501-0009	平键/5*5*12	Key 5×12	1
13	KT13411-E52001-000	平衡轴传动齿轮	Drive Gear Of Balance Shsft	1
15	KT13510-E53002-000	飞轮含齿圈（电启动飞轮）	Fly Wheel	1
	KT13510-E53001-000	手启动飞轮	Fly Wheel	1
16	KT13503-E52001-002	飞轮螺母垫片	Fly Wheel Nut Washer	1
17	KT13501-E52001-00E	飞轮螺母/M18*1.5	Fly Wheel Nut/ M18*1.5	1
18	KT28002-E53001-002	启动杯	Starter Pulley	1
19	KT90107-0814-02	六角法兰面螺栓/M8*14	Bolt M8*14	4
20	KT91501-0008	平键/5*5*14	Key 5×14	1

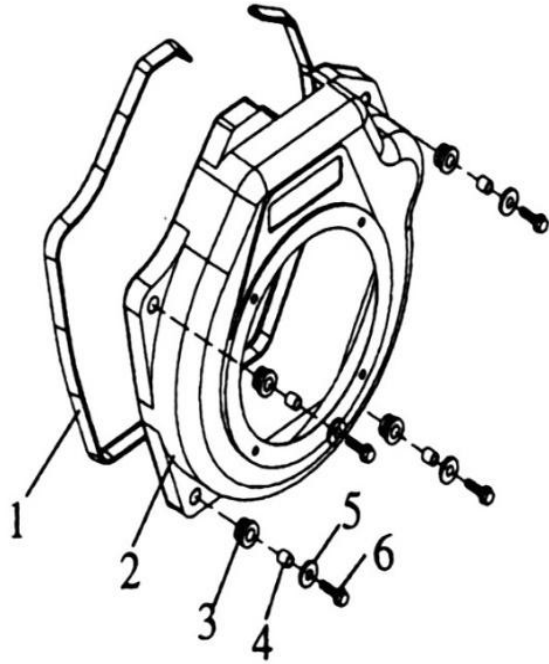
**CAMSHAFT ASSY**



NO.	CODE	CHINESE NAME	ENGLISH NAME	QUANTITY
1	KT14070-E52001-000	推杆	Valve Rod Assy	2

2	KT14081-E52001-000	气门挺柱	Valve Tappet	2
3	KT14228-E52001-000	凸轮轴正时齿轮	Camshaft Timing Gear	1
4	KT91501-0009	平键/5*5*12	Key 5*12	1
5	KT14211-E53001-000	凸轮轴 (F)	Camshaft	1

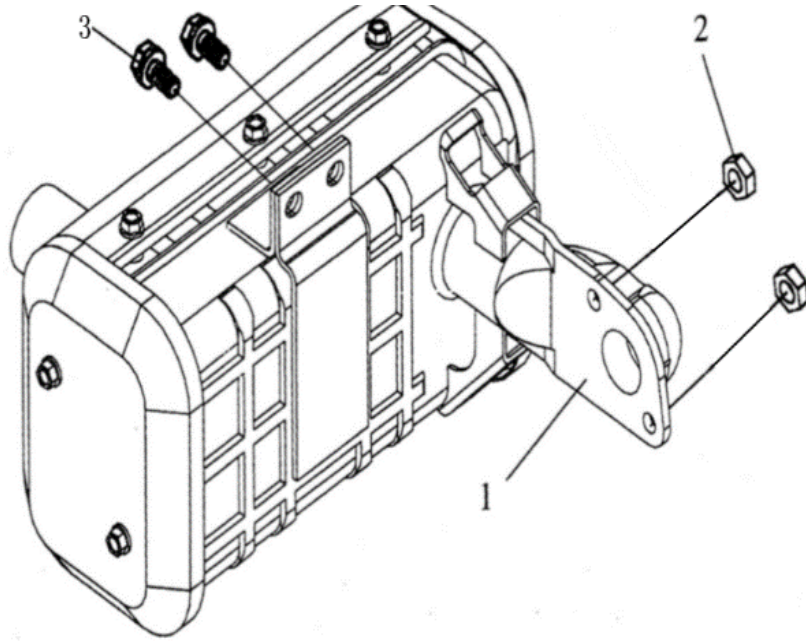
**WIND GUARD COVER ASSY**



NO.	CODE	CHINESE NAME	ENGLISH NAME	QUANTITY
1	KT186FA-0020-00000	减震胶条	Shock Absorber Seat	1
2	KT186FA-0021-00R51	导风罩组件 (3020红)	Fan Case Welded Assy	1
3	KT186FA-0022-00000	减震套	Shock Absorber	4
4	KT186FA-0023-00000	导风罩衬套	Collar10*10	4

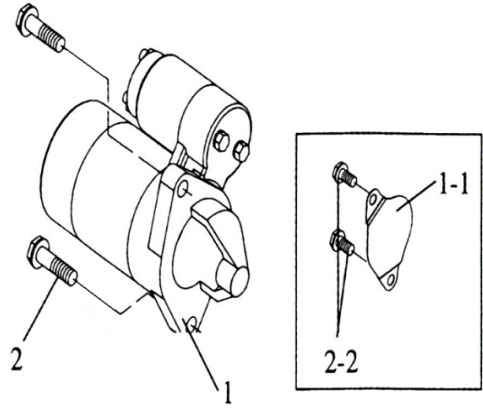
5	KT90412-E52001-002	大垫圈/ $\phi 6 * \phi 18 * 1.6$	Washer 6	4
6	KT90107-0625-02	六角法兰面螺栓/M6*25	Bolt M6*25	4

**MUFFLER ASSY**



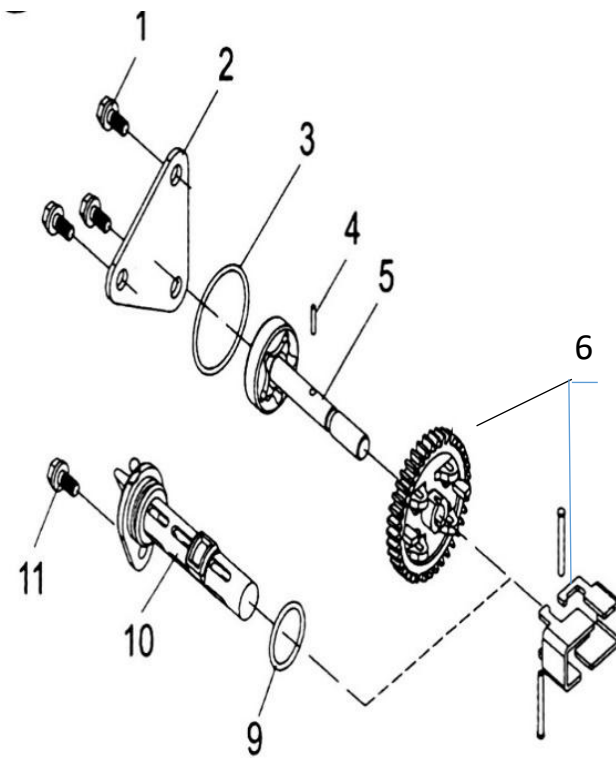
NO.	CODE	CHINESE NAME	ENGLISH NAME	QUANTITY
1	KT18100-E52001-B02	消声器总成	Silencer Assy	1

**STARTING MOTOR 起动电机总成**

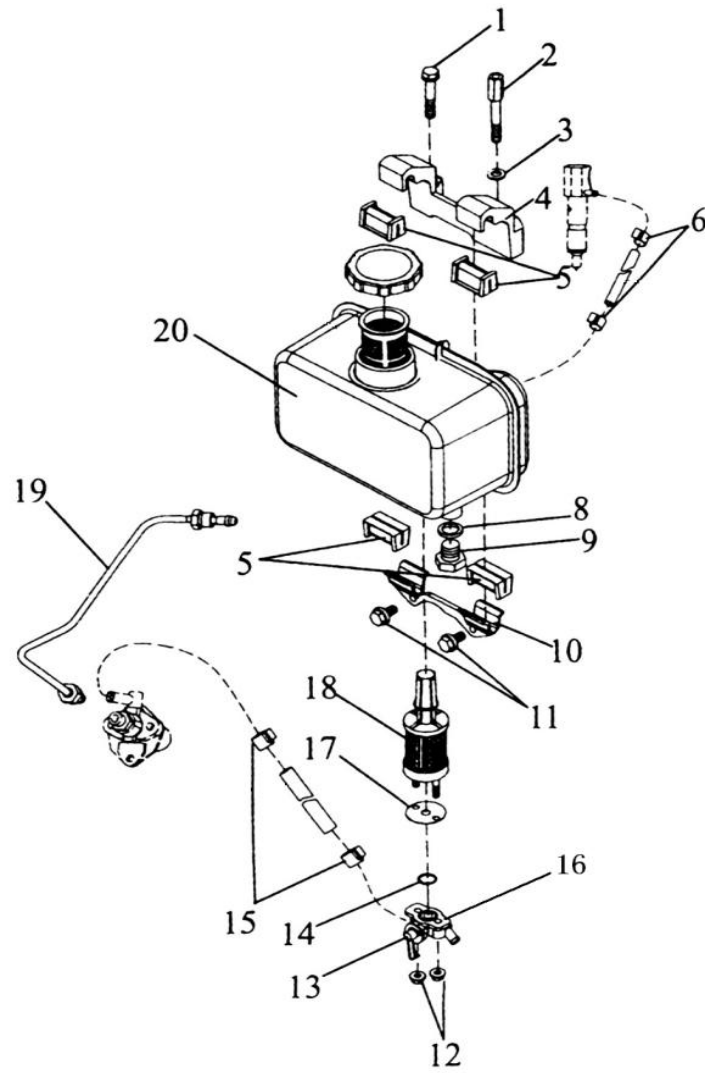


NO.	CODE	CHINESE NAME	ENGLISH NAME	QUANTITY
1	KT30300-E52001-000	起动电机总成	Fly Wheel Alternator	1

**LUBRICATING SYSTEM**

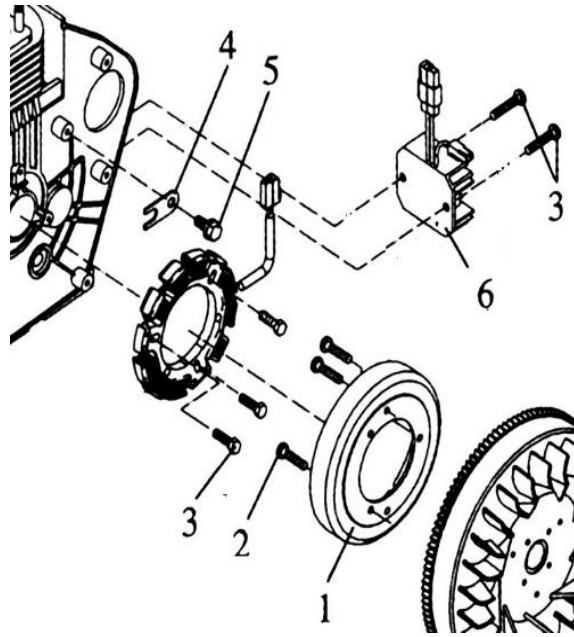


NO.	CODE	CHINESE NAME	ENGLISH NAME	QUANTITY
5	KT15100-E52001-000	机油泵部件	Oil Pump Assy	1
6	KT16400-E52001-000	调速齿轮组合	Oil Pump Gear	1
9/10	KT15240-E52001-000	机油滤清器组合	Oil Filter Assy	1
<b>FUEL SYSTEM</b>				



NO.	CODE	CHINESE NAME	ENGLISH NAME	QUANTITY
1	KT90107-0845-02	六角法兰面螺栓/M8*45	Bolt M8×45	1
2	KT16817-E52001-002	油箱上支架紧固螺栓	Upper Stay Bolt	1

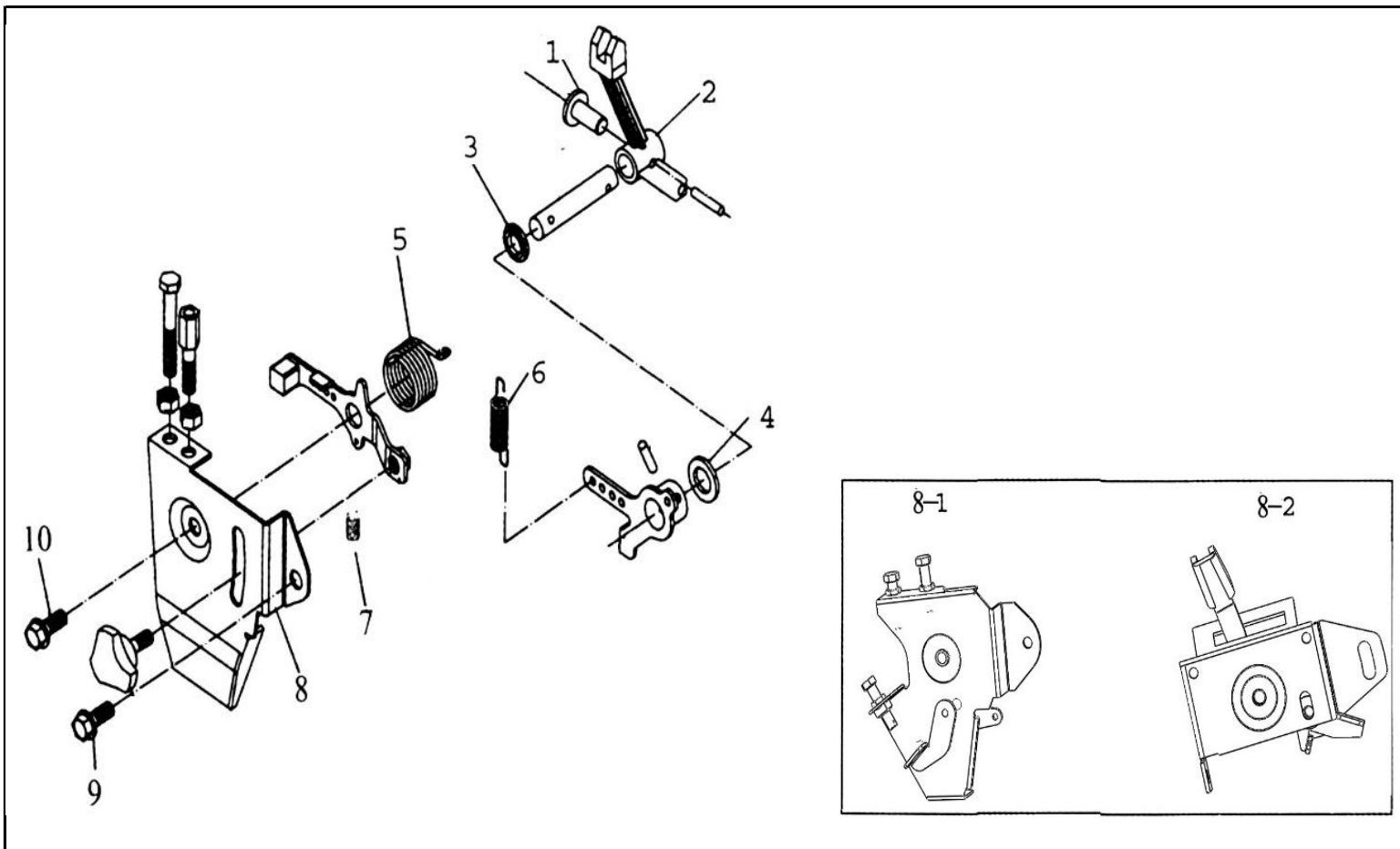
4	KT16612-E52001-000	油箱上支架	Upper Stay	1
5	KT16602-E52001-000	油箱减震垫	Fuel Tank Damper	4
8	KT16814-E52001-000	油箱放油螺栓垫片	Fuel Tank Plug Seat	1
9	KT16817-E52001-002	油箱放油螺栓	Fuel Tank Plug	1
10	KT16613-E52001-000	油箱下支架	Lower Stay Assy	1
11	KT90107-0614-02	六角法兰面螺栓/M6*14	Bolt M6*14	2
12	KT90602-0600-42	六角法兰面螺母/M6	Nut 6	2
13/14	KT16750-E52001-000	油箱开关组件(含O型圈)	Fuel Tank Gock Assy	1
15	KT90686-E52001-000	输油管组件	Fuel Pipe Assy	1
16	KT16755-E52001-000	油开关密封垫	Fuel Tank Gock Gasket	1
17	KT16515-E52001-000	柴油滤芯垫片	Fuel Filter Gasket	1
18	KT16510-E52001-000	柴油滤芯组件	Fuel Filter Assy	1
19	KT16816-E52002-002	高压油管部件	Fuel Injection Pipe Assy	1
20	KT16600-E52001-R01	油箱部件 (含油箱盖)	Fuel Tank Assy	1
	KT16730-E50001-000	油箱盖		
<b>FLYWHEEL GENERATOR ASSY</b>				



NO.	CODE	CHINESE NAME	ENGLISH NAME	QUANTITY
1	KT30100-E52001-000	飞轮发电机组件	Fly Wheel Alternator	1
4	KT30002-E52001-002	压线板	Wire Clamp	1
6	KT35636-E52001-000	稳压器	Regulator	1

**SPEED ADJUSTMENT AND CONTROL PLATE**

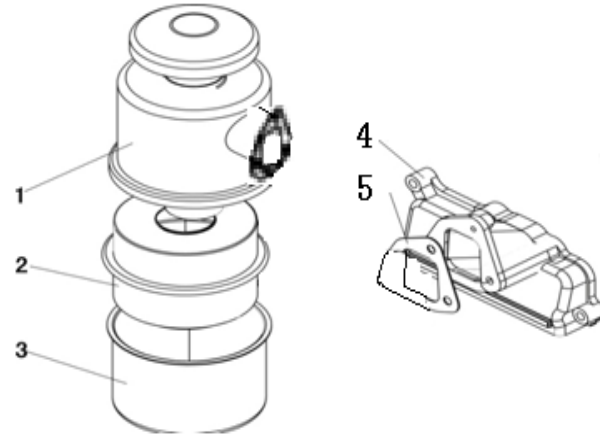




NO.	CODE	CHINESE NAME	ENGLISH NAME	QUANTITY
2	KT16290-E52001-000	拨叉杠杆部件	Lever Fork	1
4	KT16292-E52004-000	杠杆拨叉轴调整垫片 (1.2mm)	Lever Washer	2
5	KT16546-E52001-002	复位弹簧	Return Spring	1
6	KT16063-E52001-002	调速弹簧	Governor Spring	1
7	KT16549-E52001-00E	微调弹簧	Fine Spring	1

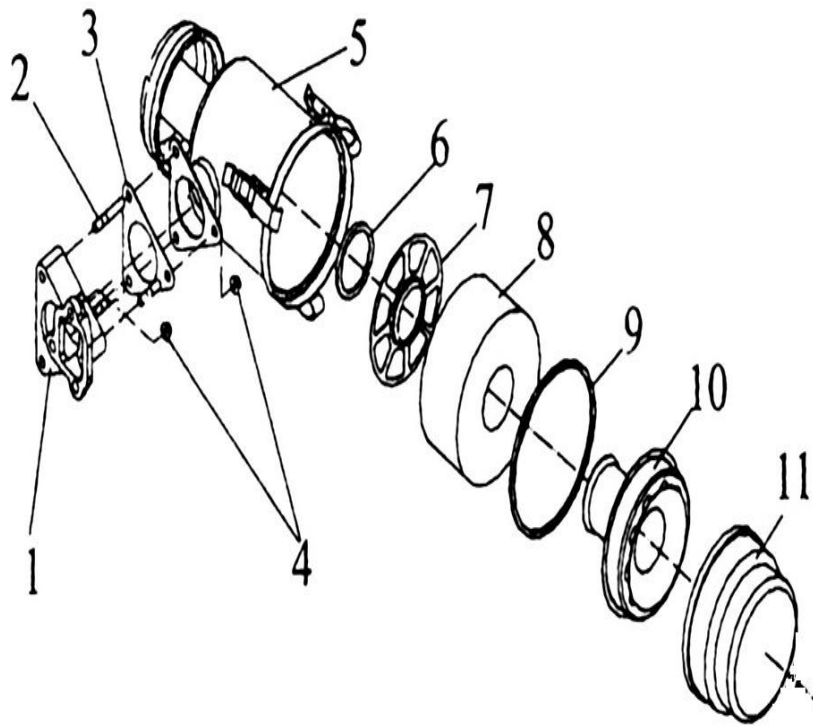
8-1	KT16520-E52001-002	调速操纵部件（微耕机用）	Control Lever Assy.	1
-----	--------------------	--------------	---------------------	---

**INTAKE AIR SYSTEM-FOR POWER TILLER**



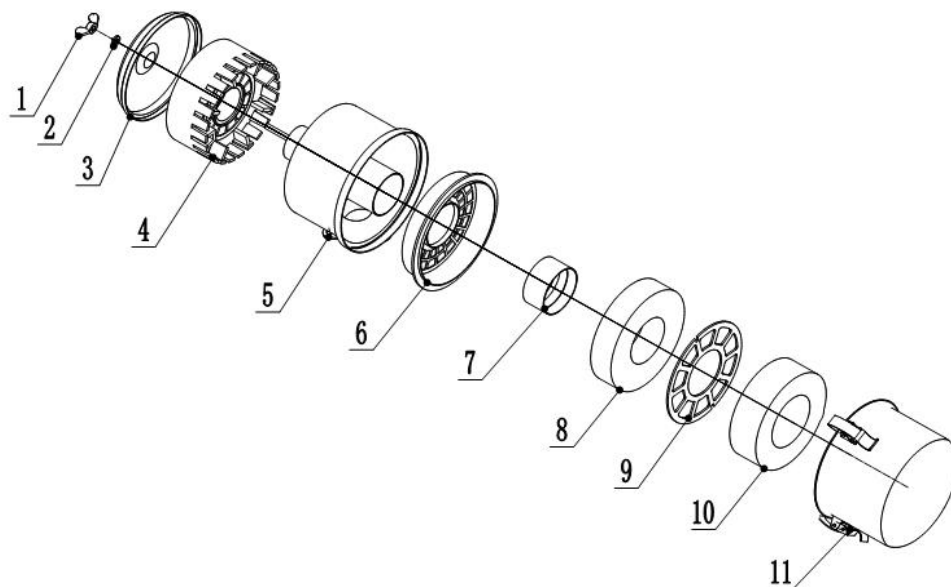
NO.	CODE	CHINESE NAME	ENGLISH NAME	QUANTITY
1/2/3	KT17100-E53002-B01	188加大一级空滤器/460	Air Filter Assy	1
1/2/3-1	KT17100-E53004-B01	188旋风空滤器	Air Filter Assy	1
4	KT11510-E52001-000	进气管	Intake Pipe	1
5	KT17001-E52001-000	空滤器垫	Air Cleaner Gasket	1

**INTAKE AIR SYSTEM-FOR POWER TILLER (KT17100-E52003-B01) 186FA**



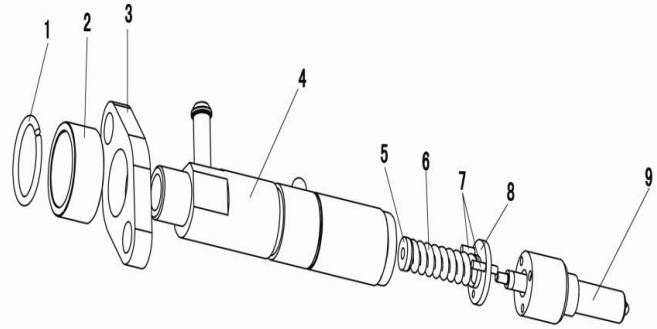
1	KT186FA-0024-00000	一体化进气管	Intake Pipe/Integration	1
3	KT186FA-0025-00000	空滤器垫	Air Cleaner Gasket	1
5	KT186FA-0026-00000	空气滤清器外壳部件	Air Filter Connecting Disc	1
8	KT186FA-0027-00000	滤芯	Air Filter Case	1
10	KT186FA-0028-00000	空气滤清器部件	Air Cleaner Element Assy	1
11	KT186FA-0029-00000	空滤滤清器油盘	Air Flter Sump	1

**INTAKE AIR SYSTEM-FOR POWER TILLER (KT17100-E53004-B01) 186FAE**



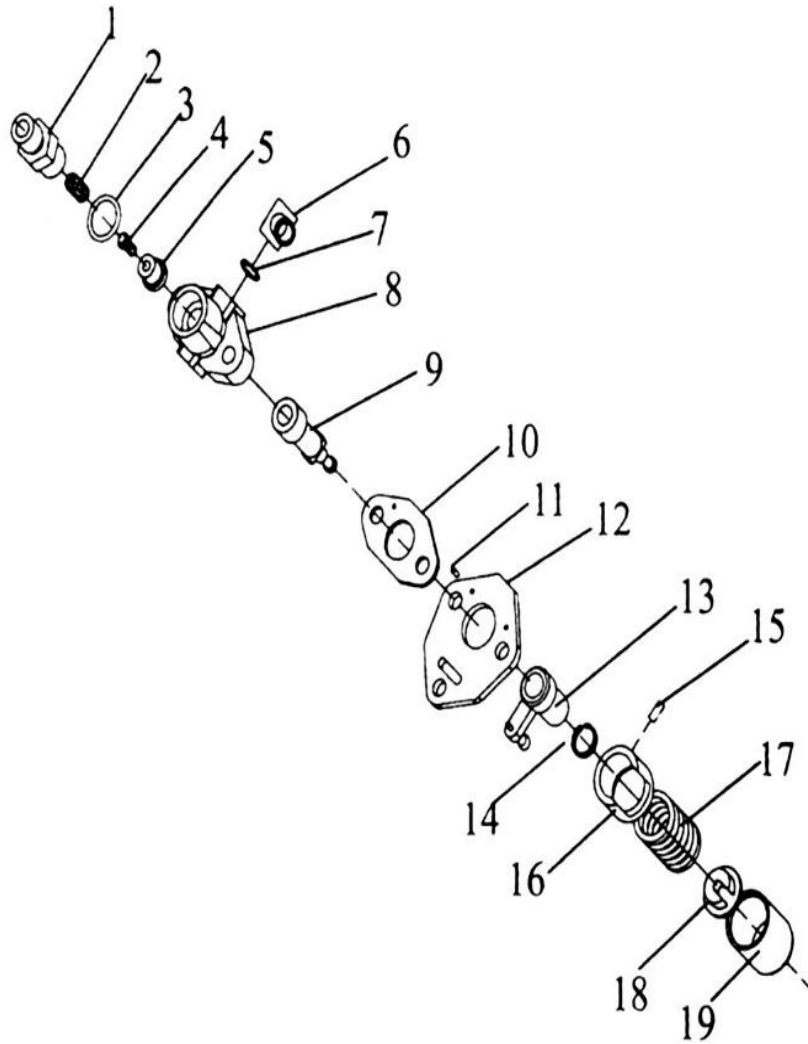
1	90613-0600-Z9	碟形螺母M6		
2	90702-0003-Z9	平垫6		
3	KT186FA-0030-00000	旋风空滤器顶盖	旋风空滤器顶盖/186FA	
4	KT186FA-0031-00000	旋风空滤器上罩	旋风空滤器上罩/186FA	
5	KT186FA-0032-00000	旋风空滤器外壳	旋风空滤器外壳/186FA	
6	KT186FA-0033-00000	旋风空滤器内盖	旋风空滤器内盖/186FA	
7	KT186FA-0034-00000	旋风式空滤器橡胶套	旋风式空滤器橡胶套/186FA	
8	KT186FA-0035-00000	旋风式空滤器泡沫过滤网	旋风式空滤器泡沫过滤网/186FA	
9	KT186FA-0036-00000	旋风式空滤器塑料胶垫	旋风式空滤器塑料胶垫/186FA	
10	KT186FA-0037-00000	旋风式空滤器钢丝过滤网	旋风式空滤器钢丝过滤网/186FA	
11	KT186FA-0038-00000	旋风空滤器底壳	旋风空滤器底壳/186FA	

**FUEL SPRAY NOZZLE**



<b>NO.</b>	<b>CODE</b>	<b>CHINESE NAME</b>	<b>ENGLISH NAME</b>	<b>QUANTITY</b>
4	KT188F-0001-00000	喷油器体部件	Fuel Iniection Vaive Block	1
7	KT188F-0002-00000	喷油器偶件	Nozzle	1

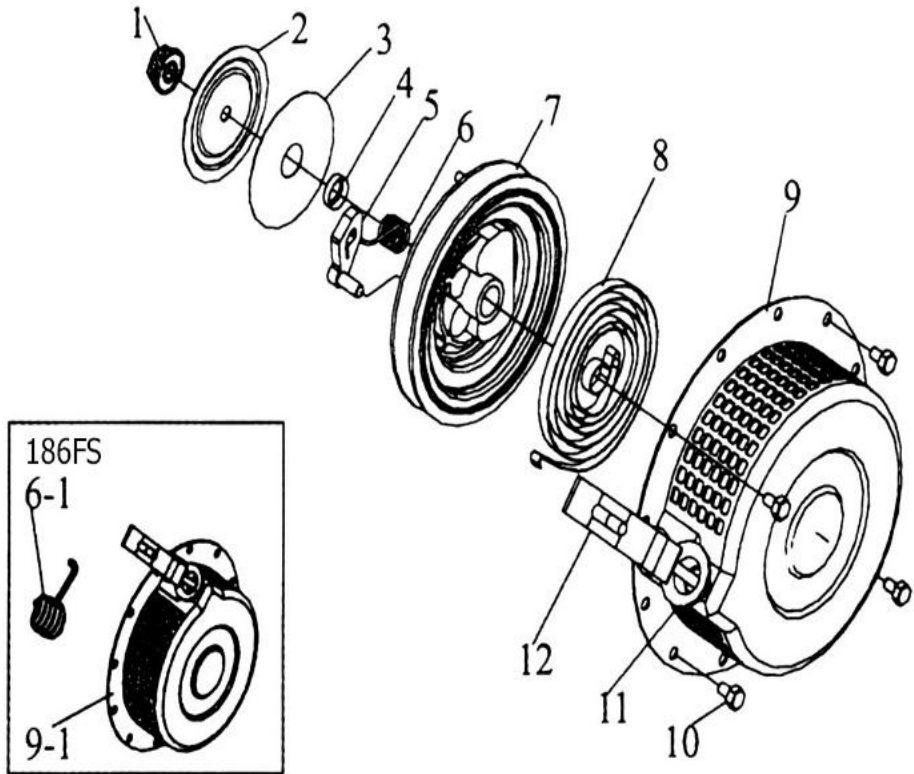
**FUEL SPRAY PUMP KT16200-E53001-000**



NO.	CODE	CHINESE NAME	ENGLISH NAME	QUANTITY
4	KT188F-0003-00000	出油阀芯	Fuel Delivery Valve Core	1
5	KT188F-0004-00000	出油阀座	Fuel Delivery Valve Seat	1

8	KT188F-0005-00000	泵体	Fip Block	1
9	KT188F-0006-00000	柱塞	Plunger	1
17	KT188F-0007-00000	柱塞弹簧	Spring	1
18	KT188F-0008-00000	弹簧下座	Spring Holder	1
19	KT188F-0009-00000	挺柱体	Tappet	1

**RECOIL STARTER KT28200-E52001-B01**



NO.	CODE	CHINESE NAME	ENGLISH NAME	QUANTITY
-----	------	--------------	--------------	----------

2	KT186FA-0010-00000	摩擦盘	Friction Reel	1
3	KT186FA-0011-00000	摩擦片	Friction Plate	1
4	KT186FA-0012-00000	弹簧盖	Spring Cover	1
5	KT186FA-0013-00000	起动爪部件	Ratchet	1
6	KT186FA-0014-00000	回位弹簧	Return Spring	1
7	KT186FA-0015-00000	绳轮	Starter Reel	1
8	KT186FA-0016-00000	平面蜗卷弹簧	Spiral Spring	1
9	KT186FA-0017-00000	外壳部件	Outer Case Assy	1
11	KT186FA-0018-00000	起动拉绳	Starter Rope	1
12	KT186FA-0019-00000	起动手柄	Starter Handle	1